

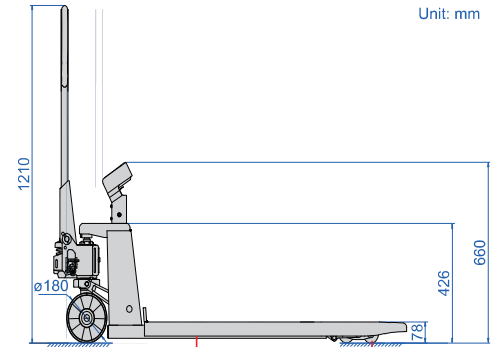
FORKLIFT SCALES

- Zero-setting, weighing, subtracting tare value, simple counting
- Accumulation, animal scale, percentage display
- Automatic power off
- Unit: kg, lb

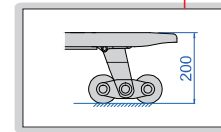


LED indicator

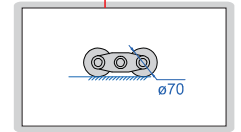
8801-A20



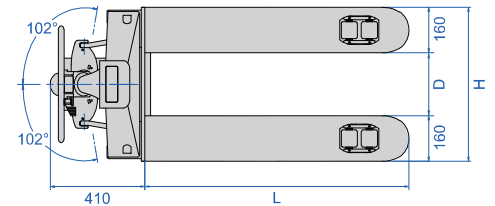
Unit: mm



maximum lifting height



diameter of rear wheels



SPECIFICATION

Code	8801-A15	8801-A20	8801-A25	8801-B15	8801-B20	8801-B25
Weighing capacity	1500kg	2000kg	2500kg	1500kg	2000kg	2500kg
Minimal load	10kg	20kg	20kg	10kg	20kg	20kg
Readability (d)	0.5kg	1kg	1kg	0.5kg	1kg	1kg
Repeatability	±1kg	±1kg	±2kg	±1kg	±1kg	±2kg
Linearity	±1.5kg	±1.5kg	±3kg	±1.5kg	±1.5kg	±3kg
Limited load	2500kg	3000kg	3000kg	2500kg	3000kg	3000kg
Forklift arm length (L)	1150mm			1220mm		
Forklift arm distance (D)	220mm			360mm		
Overall forklift width (H)	540mm			680mm		
Material	mild steel					
Operation temperature	-10~50°C					
Operation humidity	30~90%RH					
Power supply	rechargeable lead acid battery(6V/4Ah)					
Dimension (L×W×H)	1560×540×1210mm			1630×680×1210mm		